

### TP01.35

KİLİT TUTAMAĞI (Plastik)

HANDLE FOR LOCK (Finger Pull For Lock - Polyamide)



#### Kullanıldığı Kilitler

\* KM01, KM11, KM21, KY01

#### Malzeme

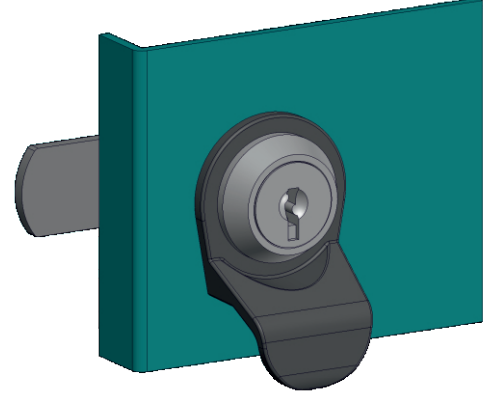
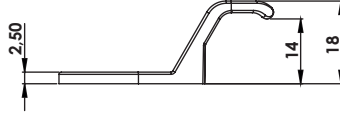
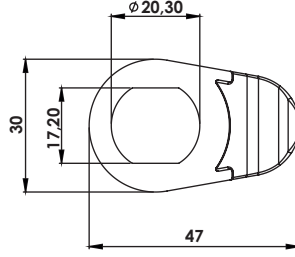
\* Polyamide DIN EN ISO 1043-1 PA6 GFR30

#### Used For Locks

\* KM01, KM11, KM21, KY01

#### Material

\* Polyamide DIN-EN ISO 1043-1 PA6 GFR30



### TP19.35

KİLİT TUTAMAĞI (Plastik)

HANDLE FOR LOCK (Finger Pull For Lock - Polyamide)



#### Kullanıldığı Kilitler

\* KYT11

#### Malzeme

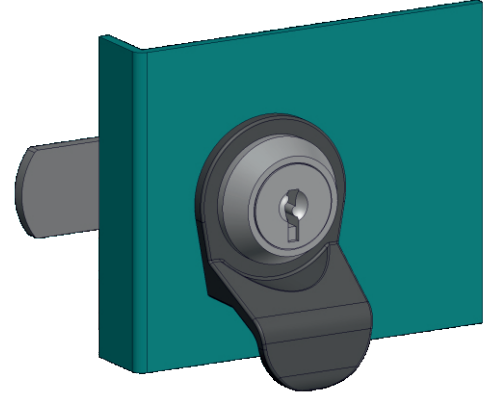
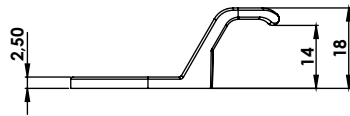
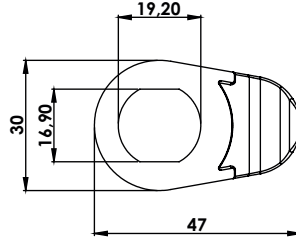
\* Polyamide DIN EN ISO 1043-1 PA6 GFR30

#### Used For Locks

\* KYT11

#### Material

\* Polyamide DIN-EN ISO 1043-1 PA6 GFR30



### TP05.35

KİLİT TUTAMAĞI (Plastik)

HANDLE FOR LOCK (Finger Pull For Lock - Polyamide)



#### Kullanıldığı Kilitler

\* KM05, KYDD

#### Malzeme

\* Polyamide DIN EN ISO 1043-1 PA6 GFR30

#### Used For Locks

\* KM05, KYDD

#### Material

\* Polyamide DIN-EN ISO 1043-1 PA6 GFR30

