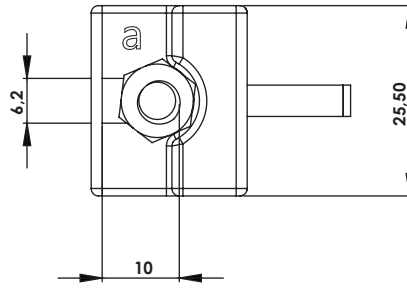
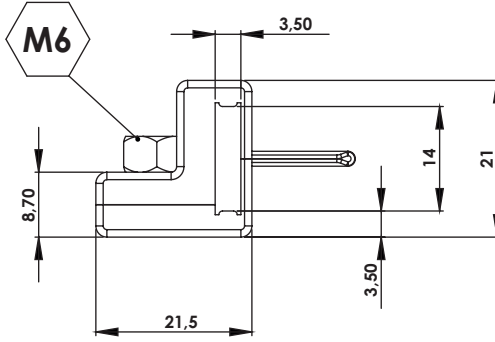


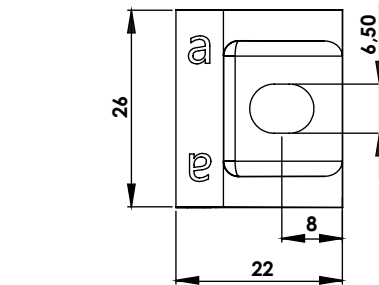
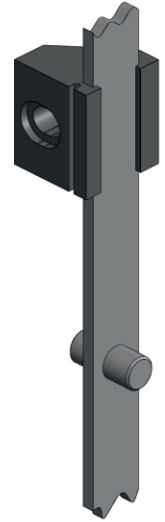
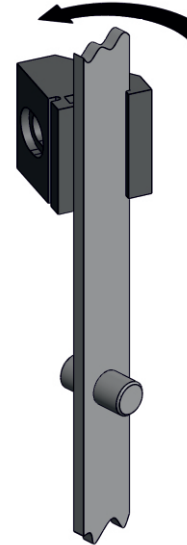
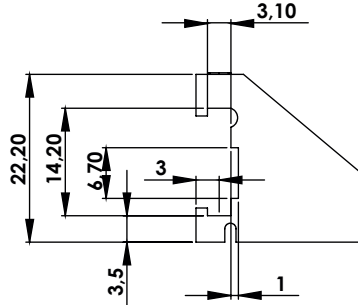
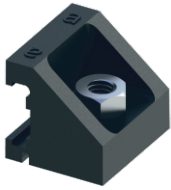
ILY01.35

**LAMA YATAĞI 01
FLAT ROD GUIDE 01**



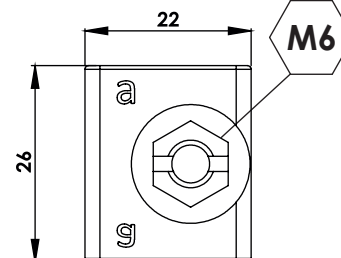
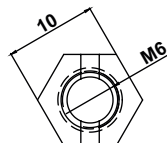
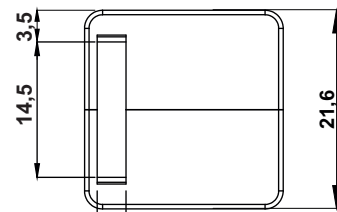
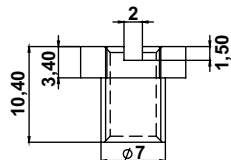
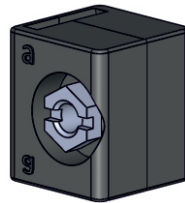
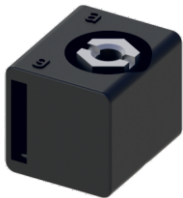
ILY02.35

**LAMA YATAĞI 02
FLAT ROD GUIDE 02**



ILY03.35

**LAMA YATAĞI 03
FLAT ROD GUIDE 03**



Malzeme

* Polyamide DIN-EN ISO 1043-1 PA6 GFR30

Material

* Polyamide DIN-EN ISO 1043-1 PA6 GFR30