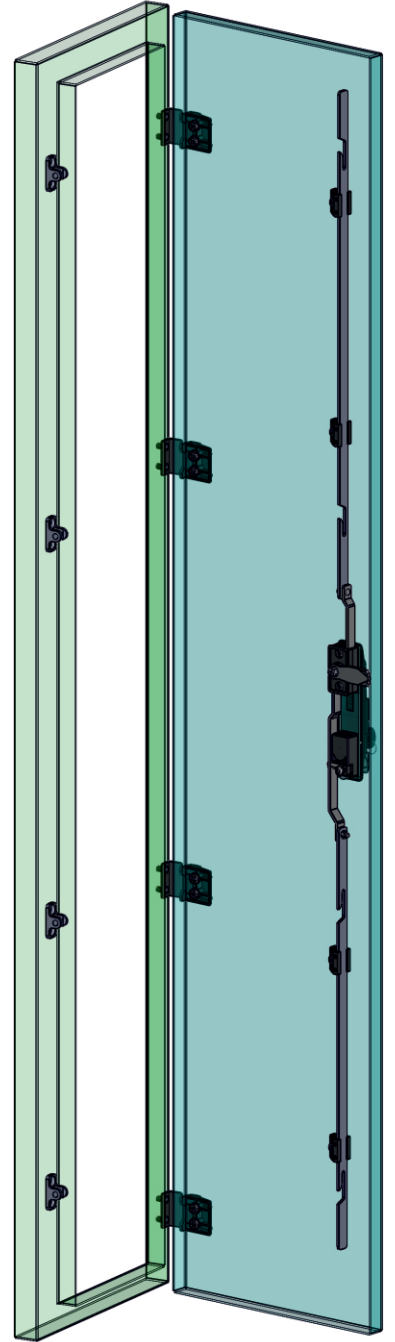
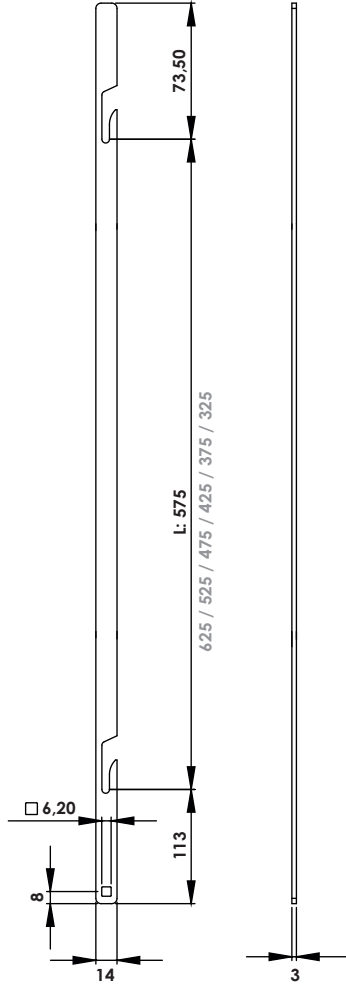


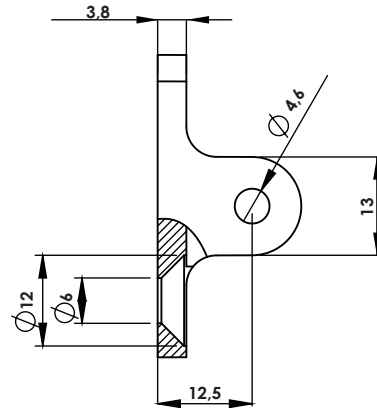
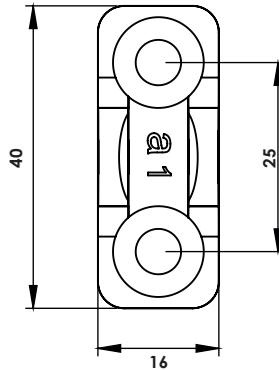
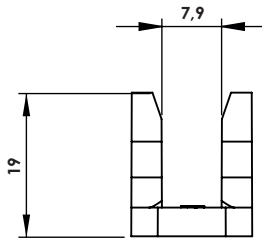
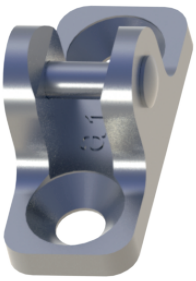
IKL01.L (575)

İSPANYOLET KANCALI LAMA 575
FLAT ROD WITH HOOK 575



ILK03.1.1

İSPANYOLET KANCALI LAMA KİLİTLEYİCİSİ (Zamak)
FLAT ROD GUIDE



Malzeme

- * Zamak DIN-EN 1774-ZnAl4Cu1
- * Pim: Çelik St 37

Material

- * Zamak DIN-EN 1774-ZnAl4Cu1
- * Pin: Steel St 37